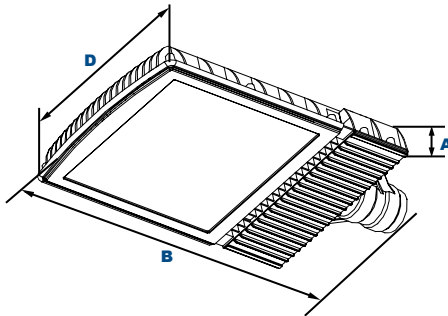




LED Technology

SL30

Small Area/Street Light



Dimensions

Width (D)	15 1/8" (384mm)
Length (B)	27 3/4" (705mm)
Height (A)	4 1/8" (106mm)

Project Information:

Project Name:	Fixture Type:
Complete Catalog #:	Date:
Comments:	

The Jemm SL30 luminaire is available in a wide choice of mounting configurations and optical distributions designed to replace HID lighting systems up to 400w MH or HPS. Typical applications include general area, parking, flood, security, and accent lighting for retail centers, industrial parks, schools and universities, public transit and airports, office buildings and medical facilities. Mounting heights of 12 to 30 feet can be used based on light level and uniformity requirements.

Specifications and Features:

Housing:

Heavy-Duty Low Profile Die Cast Housing with Integral Heat Sinking, Driver Compartment. Powdercoat Finish Over a Chromate Conversion Coating. Includes Twist Lock Photocell Receptacle.

Listing & Ratings:

CSA: Listed for Wet Locations, ANSI/UL 1598, 8750; IP66 Sealed LED Compartment.

Finish:

Textured Architectural Bronze Powdercoat Finish Over a Chromate Conversion Coating. Custom Colors Available Upon Request.

Lens:

Tempered Clear Flat Glass Lens or Tempered Clear Flat Prismatic Glass Lens

Mounting Options:

2 1/2" Diameter Mounting Arm Adapter, Adjustable Slipfitter, or Two-Piece Bracket

EasyLED LED:

Aluminum Boards

Wattage:

Array: 167.3w; System: 180w; (400w HID Equivalent)

Driver:

Electronic Driver, 120-277V, 50/60Hz or 347-480V, 50/60Hz; Less Than 20% THD and PF>0.90. Standard Internal Surge Protection 6kV. 0-10V Dimming Standard for a Dimming Range of 100% to 10%; Dimming

Controls:

Fixtures Ordered with Factory-Installed Photocell or Motion Sensor Controls are Internally Wired for Switching and/or 1-10V Dimming Within the Housing. Remote Direct Wired Interface of 1-10V Dimming is Not Implied and May Not Be Available, Please Consult Factory. Fixtures are Tested with QSSI Controls and May Not Function Properly With Controls Supplied By Others. Fixtures are NOT Designed for Use with Line Voltage Dimmers.

Warranty:

5-Year Warranty for -40°C to +50°C Environment.

Certification & Listings:




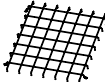
DesignLights Consortium™
Qualified Luminaires:
ST30QA1X167[U H]5KC***
ST30QB1X167[U H]5KC***
ST30QC1X167[U H]5KC***
ST30QD1X167[U H]5KC***
ST30QF1X167[U H]5KC***



Order Information Example:		ST30QF1X167U5KCZMASP						
SL30		1X167						
Model	Optics	Wattage	Driver	CCT	Lens	Color	Mounting	Options
SL30 =Bentley Small Area/Roadway	A =Type I/NEMA 7H x 6V B =Type II/NEMA 7H x 6V C =Type III/NEMA 7H x 7V D =Type IV/NEMA 7H x 6V F =Type V/NEMA 7H x 7V See Page 3 for Distribution Information.	167 =167w	U =120-277V H =347-480V	4K =4000K 5K =5000K	C =Tempered Clear Flat Glass Lens P =Tempered Clear Flat Prismatic Glass Lens* *F Optic Only.	Z =Bronze C =Custom (Consult Factory)	MA =Mounting Arm Adapter SF =Slipfitter ⊕ BR =Two-Piece Swivel Bracket ⊕ NM =No Mount	SF =Single Fuse* DF =Double Fuse* SP =Surge Protection R3 =3-Pin 480V Twist Lock Photocell Receptacle with P18132 Shorting Cap ⊕ R5 =5-Pin Twist Lock Photocell Receptacle ⊕ R7 =7-Pin ANSI C136.41—2013 Twist Lock Photocell Receptacle ⊕ *120-277V Models Only

Notes
 ⊕ Maximum tilt angle of 45° above horizontal with R3, R5, or R7 photocell receptacle options

Accessories & Replacement Parts:

Mounting Accessories (Order Separately, Field Installed)	Accessories (Order Separately, Field Installed)	Replacement Parts (Order Separately, Field Installed)
STS FZ Adjustable Die Cast Double Slipfitter with Angle Indicators Allows Mounting on Vertical Tenons, Includes Hardware. Bronze Finish.	P18130 480VAC Twist Lock Photocell Receptacle	SL30GLP Tempered Clear Flat Prismatic Glass Lens
PSS4T180HTZ 4" 180° Twin Square Horizontal Tenon, Bronze Powdercoat Finish	P18131 Twist Lock Non-Shorting (Open) Cap Disconnects Service to Fixture for Temporary or Permanent Disabling (Fixture Always Off). IP65, 480V Maximum.	CVMAZ Die-Cast Adaptor for 2 3/4" Horizontal Mounting Arms, Bronze Powdercoat Finish, Includes Hardware.
PSS5T180HTZ 5" 180° Twin Square Horizontal Tenon, Bronze Powdercoat Finish	P18132 Twist Lock Shorting Cap Provides Fixed Service to Fixture (Fixture Always on). IP65, Rated Load 7200w Tungsten.	FL90SFZX External Mount Die-Cast Adjustable Slipfitter for 2 3/4" Tenons, Bronze Powdercoat Finish, Includes Hardware.
PTSB1SZ Single Pole Tenon Spoke Bracket, 2 3/4" Horizontal Mounting Arm, Bronze Powdercoat Finish, Includes Hardware.	P18140 110-120VAC Instant Twist Lock Photocell	FL90BRZ Two-Piece Stamped Steel Adjustable Bracket, Bronze Powdercoat Finish, Includes Hardware.
PTSB290SZ Twin Pole Tenon Spoke Bracket, 2 3/4" Horizontal 90° Mounting Arms, Bronze Powdercoat Finish, Includes Hardware.	P18152 277VAC Time Delay Twist Lock Photocell	
PTSB2180SZ Twin Pole Tenon Spoke Bracket, 2 3/4" Horizontal 180° Mounting Arms, Bronze Powdercoat Finish, Includes Hardware.	P18154 480VAC Time Delay Twist Lock Photocell. For 480V use only.	
PTSB390SZ* Triple Pole Tenon Spoke Bracket, 2 3/4" Horizontal 90° Mounting Arms, Bronze Powdercoat Finish, Includes Hardware.	P18156 120-277VAC Universal Twist Lock Photocell	
PTSB3120SZ* Triple Pole Tenon Spoke Bracket, 2 3/4" Horizontal 120° Mounting Arms, Bronze Powdercoat Finish, Includes Hardware.	SL30GSZ Aluminum House Side Shield, Bronze Powdercoat Finish, Includes Hardware.	
PTSB490SZ* Quad Pole Tenon Spoke Bracket, 2 3/4" Horizontal 90° Mounting Arms, Bronze Powdercoat Finish, Includes Hardware.	SL30WG Wire Guard, Stainless Steel Construction	
*Non-stock item. Consult factory for lead time.	 	
*Specify Color: B=Black, C=Custom (Consult Factory)	SL30GSZ SL30WG	



Mounting Options:



SL30 w/ Pole Mounting Arm Adaptor (MA)

Die-Cast Adaptor for 2 3/4" Horizontal Mounting Arms, Bronze Powdercoat Finish, Includes Hardware.



SL30 w/ External Mount Slipfitter (SF)

External Mount Die-Cast Adjustable Slipfitter for 2 3/4" Tenons, Bronze Powdercoat Finish, Includes Hardware.



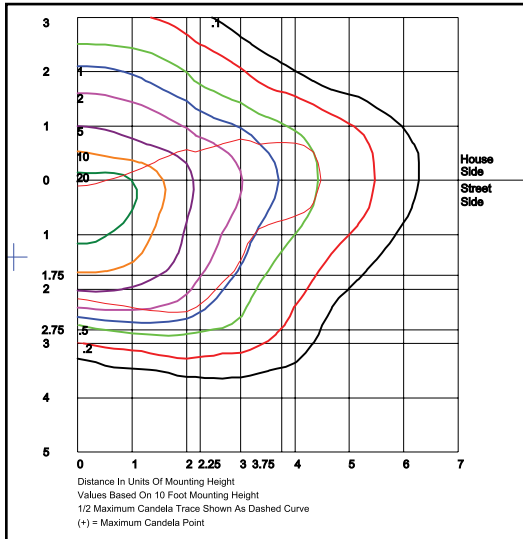
SL30 w/ Two-Piece Swivel Bracket (BR)

Two-Piece Stamped Steel Adjustable Bracket, Bronze Powdercoat Finish, Includes Hardware.

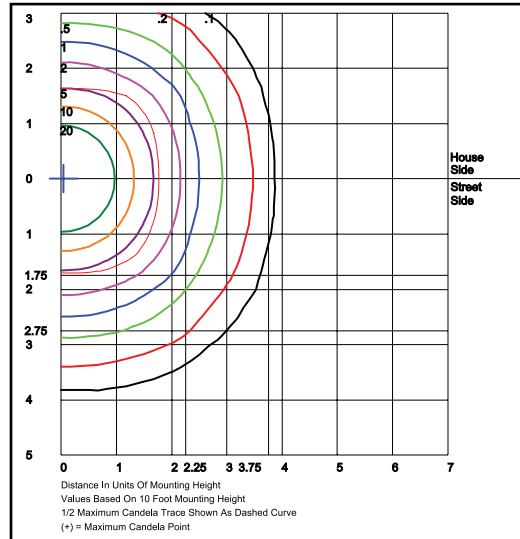
Notes

① Maximum tilt angle of 45° above horizontal with R3, R5, or R7 photocell receptacle options

Photometric Data



SL30C167U5KC
Type III



SL30F167U5KC
Type V

Photometric Performance

LED Board Watts	Drive Current (mA)	Input Watts	Optics	5000 CCT 80 CRI					4000 CCT 80 CRI					
				Lumens	LPW	B	U	G	Lumens	LPW	B	U	G	
EasyLED 167w	525	180	A	Type I	19,978	111	4	0	3	18,280	102	4	0	3
			B	Type II	19,634	109	3	0	3	17,965	100	3	0	2
			C	Type III	21,084	117	3	0	3	19,292	107	3	0	3
			D	Type IV	18,958	105	3	0	4	17,347	96	3	0	4
			F	Type V	20,527	114	4	0	1	18,782	104	4	0	1

LED Board Watts	Drive Current (mA)	Input Watts	Optics	5000 CCT 80 CRI		4000 CCT 80 CRI		
				Lumens	LPW	Lumens	LPW	
EasyLED 167w	525	180	A	128°H x 76°V, NEMA 7H x 6V	19,940	111	18,245	101
			B	115°H x 35°V, NEMA 7H x 6V	19,654	109	17,984	100
			C	117°H x 71°V, NEMA 7H x 7V	21,045	117	19,256	107
			D	116°H x 40°V, NEMA 7H x 6V	18,635	104	17,051	95
			F	118°H x 118°V, NEMA 7H x 7V	20,537	114	18,791	104