

HB5

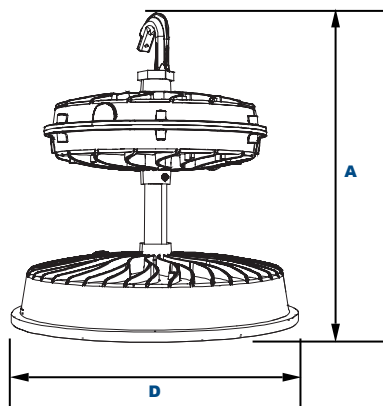
L70
25°C

302,000 Hours

LuminaLux 16" LED Highbay



Microwave Sensor
Factory Installed "M3"
Option (120-277V Only)



Dimensions

Diameter (D)	16¼" (413mm)
Height (A)	16¼" (413mm)

Project Information:

Project Name:	Fixture Type:
Complete Catalog #:	Date:
Comments:	

Not only does the Jemm LuminaLux 16" Highbay provide exceptional illumination, but it also offers incredible energy efficiency. By replacing traditional fixtures with our high-performance LED lights, you can significantly reduce energy consumption and slash utility costs without compromising on brightness. Experience long-lasting durability as our reliable product requires minimal maintenance over its extended lifespan.

Specifications and Features:

Housing:

Die Cast Aluminum Housing with External Heat Sinks for Cooler Operating Temperatures. Includes 4" Stem. Maximum Stem Length: 30 Feet

Listing & Ratings:

CSA: Listed for Damp Locations, ANSI/UL 1598, 8750 (Lens Gasket Use Required); IP65 Sealed LED Compartment.

Finish:

White Powdercoat Finish Over a Chromate Conversion Coating. Custom Colors Available Upon Request.

Lens:

Tempered Clear Flat Glass Lens, UV-Stabilized Polycarbonate Drop Lens, Acrylic Drop Lens, Acrylic Conical Lens.

Mounting Options:

Mount with Included 1" Die Cast Hook.

EasyLED LED:

Aluminum Boards

Wattage:

Array: 169w; System: 178.5w; (400w HID Equivalent)

Driver:

Electronic Driver, 120-277V, 50/60Hz or 347-480V, 50/60Hz; Less Than 20% THD and PF>0.90. Standard Internal Surge Protection 6kV. 0-10V Dimming Standard for a Dimming Range of 100% to 10%; Dimming Source Current is 150 Microamps.

Controls:

Fixtures Ordered with Factory-Installed Photocell or Motion Sensor Controls are Internally Wired for Switching and/or 1-10V Dimming Within the Housing. Remote Direct Wired Interface of 1-10V Dimming is Not Implied and May Not Be Available, Please Consult Factory. Fixtures are Tested with QSSI Controls and May Not Function Properly With Controls Supplied By Others. Fixtures are NOT Designed for Use with Line Voltage Dimmers.

Warranty:

5-Year Warranty for -40°C to +50°C Environment.

See Page 3 for Projected Lumen Maintenance Table.

Certification & Listings:



DesignLights Consortium™
Qualified Luminaires:
HB44QF1X169[U H]5KG**



Order Information Example:			HB5F169U5KGWSP				
HB5	F	1X169					
Model	Optics	Wattage	Driver	CCT	Lens	Color	Options
HB5= EasyLED Bentley 16" LED Highbay	F=Wide	169=169w	U=120-277V H=347-480V	4K=4000K 5K=5000K	G=Clear Flat Glass Lens C=Acrylic Conical Lens D=Acrylic Drop Lens B=UV-Stabilized Polycarbonate Drop Lens	W=White C=Custom (Consult Factory)	SF=Single Fuse* DF=Double Fuse* SP=Surge Protection M3=Microwave Sensor for Mounting Heights of 20 Feet or Above.* CP6120W=6' White Cord, 3 Wire, L5-15P Twist-Lock Plug CP6277W=6' White Cord, 3 Wire, L7-15P Twist-Lock Plug C6600B=6' Black Cord, STW, 600VAC, 3 Wire, Leads C6600W=6' White Cord, STW, 600VAC, 3 Wire, Leads C4600B=4' Black Cord, SEOWW, 600VAC, 3 Wire, Leads BU=Battery Backup* BUC=Cold Start Battery Backup, -20°C, 90 Minutes* *120-277V Models Only.

Lens Options:



HB5 Shown with Tempered Clear Flat Glass Lens (G)



HB5 Shown with Acrylic Conical Lens (C)



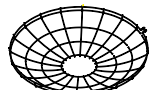
HB5 Shown with Acrylic Drop Lens (D)



HB5 Shown with UV-Stabilized Polycarbonate Drop Lens (B)

Accessories & Replacement Parts:

Accessories (Order Separately, Field Installed)	
HB44WG	Wire Guard, Fits HB44, for Use with Flat Glass Lenses.
CPSC	Safety Cable, 3' Steel Cable with Clear Vinyl Coating, Steel Eye & Loop Ends.



HB44WG



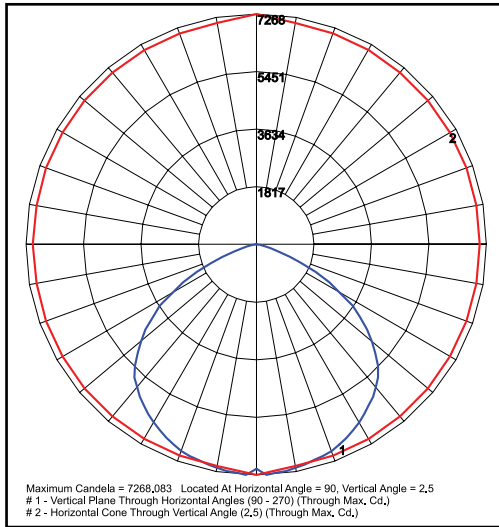
CPSC

Replacement Parts (Order Separately, Field Installed)	
HBGL16	16" Tempered Clear Flat Glass Lens
HBCL16	16" LexaLite Clear Prismatic Acrylic Conical Lens. UV Stabilized, High-Efficiency Operation in General Applications.
HBDL16	16" LexaLite Clear Prismatic Acrylic Drop Lens. UV Stabilized, High-Efficiency Operation in General Applications.
HBPC16	16" UV-Stabilized Polycarbonate Drop Lens.
HBCB16	16" Clampband
CPMH3	Die Cast Hook with 1" NPS Threads
P17116	Microwave Sensor for Mounting Heights of 20 Feet or Above (120-277V Only).
Replacement BU Available-Consult Factory.	

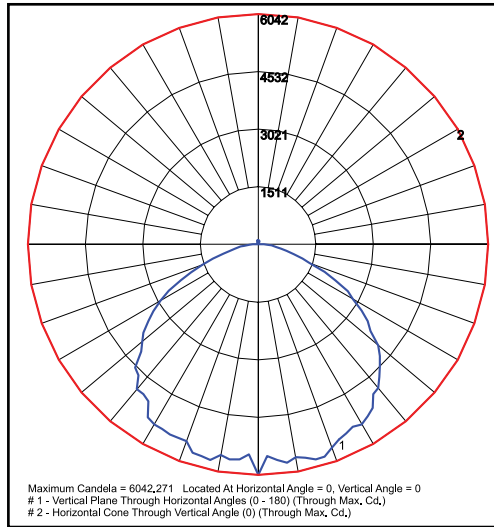


P17116

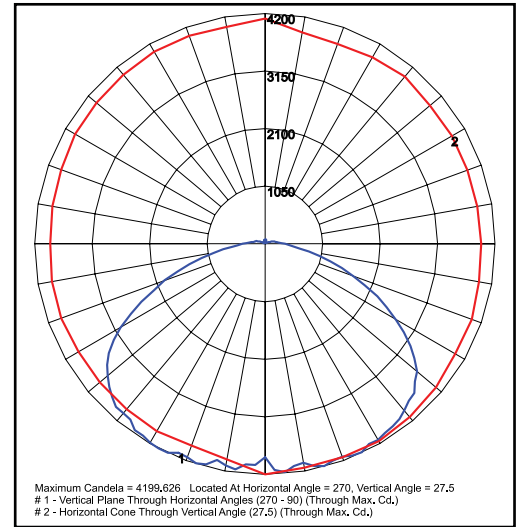
Photometric Data



**HB5F169U5KG -
Clear Glass Lens**



**HB5F169U5KC -
Conical Lens**



**HB5F169U5KD -
Drop Lens**

Photometric Performance

LED Board Watts	Drive Current (mA)	Input Watts	Spacing Criteria	5000 CCT 80 CRI		4000 CCT 80 CRI	
				Lumens	LPW	Lumens	LPW
EasyLED 169w with Clear Glass (G)	525	179	1.52	19,811	111	19,019	106
EasyLED 169w with Acrylic Conical Lens (C)			1.36	18,184	102	17,456	98
EasyLED 169w with Acrylic Drop Lens (D)			1.52	16,442	92	15,784	88

Projected Lumen Maintenance

Data shown for 5000 CCT TM-21-11	Input Watts	Compare to MH				
		Initial	25,000 Hrs	50,000 Hrs	100,000 Hrs	Calculated LED Life
L70 Lumen Maintenance @ 25°C / 77°F	179	1.00	0.98	0.95	0.90	302,000
L70 Lumen Maintenance @ 50°C / 122°F		1.00	0.94	0.88	0.76	124,000
L80 Lumen Maintenance @ 40°C / 104°F		1.00	0.96	0.91	0.83	117,000

NOTES:

1. Projected per IESNA TM-21-11. Data references the extrapolated performance projections for the base model in a 25°C ambient, based on 10,000 hours of LED testing per IESNA LM-80-08.
2. Compare to MH box indicates suggested Light Loss Factor (LLF) to be used when comparing to Metal Halide (MH) systems.